

**Canopy
Attenuator-
Attenuator**



JOHN DEERE

POWER



**LEROY
SOMER**



• Image is for reference only and might not be 100% reflective of the actual product.

This type of enclosures is distinguished due to its excellent capability of noise reduction. This is mainly due to the presence of attenuators on each of the air inlet and outlet sides. It is fully weather proofed and the exhaust muffler is mounted inside. The noise reduction ranges between 60 and 73 dBa.

Canopy Structure

- 3 mm steel canopy body & 2mm steel for doors and louvers.
- 10 cm high-density Rockwool for Sound Insulation.
- 3 layers high corrosion-resistive coating.
- Stainless-Steel locks and heavy duty GI steel hinges.
- Exhaust silencing system in the interior of the enclosure.

Service & Maintenance

- Large access doors for easy maintenance
- Rear attenuator allows easy radiator service.
- Radiator-fill access through a special plastic cap on the top of the enclosure.
- Lube oil pipe outlet to allow appropriate drainage.

Security & Safety

- Fuel fill and battery are secured through lockable doors.
- Emergency stop push button mounted on the exterior of the enclosure (optional).

Loading & Shipment

- Lifting Points on the base or on the top of the enclosure.
- 2 Removable attenuator for shipping space optimization.



Notes:

- Due to continuous improvements, data is subject to change without prior notice.

Canopy
Attenuator-
Attenuator



JOHN DEERE

POWER



**LEROY
SOMER**

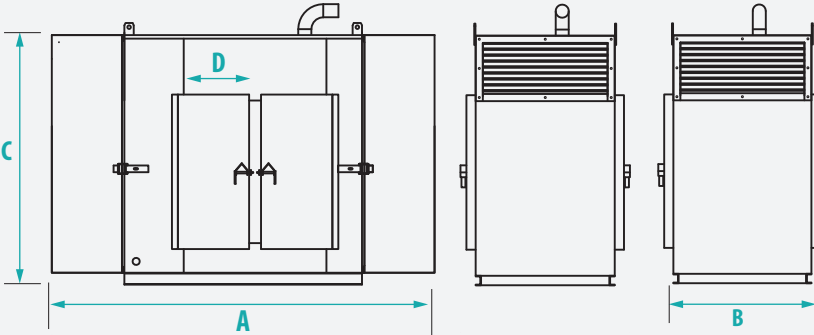


Image in process

KUBOTA POWERED GENSETS

Attenuator/ Attenuator Sound Proof Canopy (AA)	Sound Pressure Levels (dBA)										Total Weight	Dimensions			
	1500 RPM, 50 Hz				Time										
					1 m		3 m		7 m						
Generating set	Engine Mod.	Cyl.	Alternator Mod.	KVA	0% Load	100% Load	0% Load	100% Load	0% Load	100% Load	Kg	A _{mm}	B _{mm}	C _{mm}	D _{mm}
KT30-KT32S (50 Hz)	V3300-E2BG2-GDR-1	4	TAL042C	30	60	63	57	60	52	55	1409	3220	1300	2100	600
KT45- KT48S (50 Hz)	V3800DI-T-E2BG-GDR-1	4	TAL042F	45	61	64	58	61	53	56	1450	3220	1300	2100	600

KUBOTA POWERED GENSETS

Attenuator/ Attenuator Sound Proof Canopy (AA)	Sound Pressure Levels (dBA)										Total Weight	Dimensions			
	1800 RPM, 60 Hz				Time										
					1 m		3 m		7 m						
Generating set	Engine Mod.	Cyl.	Alternator Mod.	KVA	0% Load	100% Load	0% Load	100% Load	0% Load	100% Load	Kg	A _{mm}	B _{mm}	C _{mm}	D _{mm}
KT45-KT49S (60Hz)	V3300-T-E2BG-GDR-1	4	TAL042H	36	65	68	62	65	57	60	1450	2500	1200	1860	993
KT50-KT49S (60Hz)	V3800DI-T-E2BG-GDR-1	4	TAL042H	44	70	73	67	70	62	65	1500	2500	1200	1860	993

Canopy
Attenuator-
Attenuator



**LEROY
SOMER**

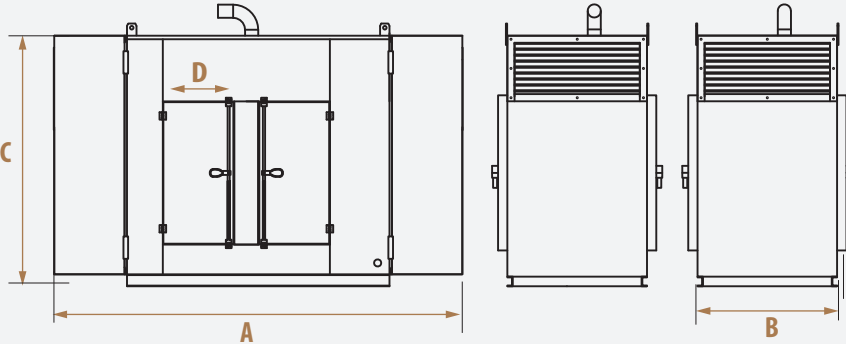


Image in process

JOHN DEERE POWERED GENSETS

Attenuator/ Attenuator Sound Proof Canopy (AA)	Sound Pressure Levels (dBA)										Total Weight	Dimensions			
	1500 RPM, 50 Hz				Time										
					1 m		3 m		7 m						
Generating set	Engine Mod.	Cyl.	Alternator Mod.	KVA	0% Load	100% Load	0% Load	100% Load	0% Load	100% Load	Kg	A _{mm}	B _{mm}	C _{mm}	D _{mm}
DT30-DT32S (50Hz)	3029DFG20	3	TAL042C	30	63	66	60	63	55	58	2003	3220	1300	2100	600
DT40-DT45S (50Hz)	3029TFG20	3	TAL042F	40	62	65	59	62	54	57	2005	3220	1300	2100	600
DT60-DT66S (50Hz)	3029HFG20	3	TAL042H	60	64	67	61	64	56	59	2005	3220	1300	2100	600
DT80-DT88S (50Hz)	4045TF258R	4	TAL044B	80	62	65	59	62	54	57	2089	3500	1500	2300	590
DT100-DT110S (50Hz)	4045HFG20 - CD24978	4	TAL044D	100	62	65	59	62	54	57	2095	3800	1500	2400	590
DT120-DT135S (50Hz)	4045HFG20 - CD24979	4	TAL044H	120	63	66	60	63	55	58	3045	3800	1500	2400	798
DT150-DT165S (50Hz)	6068HFG20 - CD24980	6	TAL044J	150	62	65	59	62	54	57	3130	4000	1500	2400	798
DT180-DT200S (50Hz)	6068HFG20 - CD24981	6	TAL046A	180	61	64	58	61	53	56	3720	4600	1800	2300	798
DT200-DT220S (50Hz)	6068HFG20 - CD24957	6	TAL046B	200	61	64	58	61	53	56	3720	4600	1800	2300	798
DT250-DT270S (50Hz)	6068HFG55	6	TAL046D	250	64	67	61	64	56	59	5381	5000	2100	2520	1050
DT300-DT330S (50Hz)	6090HF475	6	TAL046F	300	65	68	62	65	57	60	5475	5000	2100	2520	1050

JOHN DEERE POWERED GENSETS

Attenuator/ Attenuator Sound Proof Canopy (AA)	Sound Pressure Levels (dBA)										Total Weight	Dimensions			
	1800 RPM, 60 Hz				Time										
					1 m		3 m		7 m						
Generating set	Engine Mod.	Cyl.	Alternator Mod.	KVA	0% Load	100% Load	0% Load	100% Load	0% Load	100% Load	Kg	A _{mm}	B _{mm}	C _{mm}	D _{mm}
DT35-DT38S (60 Hz)	3029DFG20	3	TAL042C	35	65	68	62	65	57	60	2003	3220	1400	2100	600
DT45-DT50S (60 Hz)	3029TFG20	3	TAL042F	45	64	67	61	64	56	59	2005	3220	1400	2100	600
DT60-DT66S (60 Hz)	3029HFG20	3	TAL042H	60	66	69	63	66	58	61	2005	3220	1400	2100	600
DT60-DT66S (60 Hz)	3029HFG20	3	TAL044B	69	66	69	63	66	58	61	2014	3500	1500	2300	590
DT80-DT88S (60 Hz)	4045TFG20	4	TAL044B	80	64	67	61	64	56	59	2089	3500	1500	2300	590
DT125-DT135S (60 Hz)	4045HFG20 - CD24978	4	TAL044D	125	64	67	61	64	56	59	2165	3800	1500	2400	590
DT135-DT150S (60 Hz)	4045HFG20 - CD24979	4	TAL044H	135	64	67	61	64	56	59	3045	3800	1500	2400	798
DT185-DT205S (60 Hz)	6068HFG20 - CD24980	6	TAL046B	185	65	68	62	65	57	60	3300	4000	1400	2300	798
DT200-DT220S (60 Hz)	6068HFG20 - CD24981	6	TAL046B	200	64	67	61	64	56	59	3752	4600	1800	2300	798
DT200-DT220S (60 Hz)	6068HFG20 - CD24957	6	TAL046B	200	63	66	60	63	55	58	3720	4600	1800	2300	798
DT260-DT285S (60 Hz)	6068HFG55	6	TAL046H	260	63	66	60	63	55	58	5587	5000	2100	2520	1050
DT300-DT350S (60 Hz)	6090HF475	6	TAL046H	300	66	69	63	66	58	61	5611	5000	2100	2520	1050

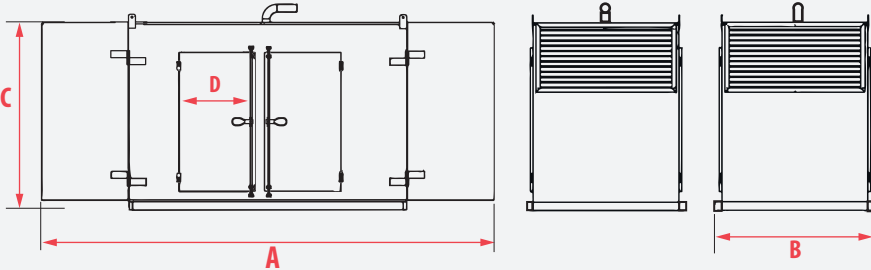


Image in process

CUMMINS POWERED GENSETS

Attenuator/ Attenuator Sound Proof Canopy (AA)	Sound Pressure Levels (dBA)										Total Weight	Dimensions			
	1500 RPM, 50 Hz				Time										
					1 m		3 m		7 m						
Generating set	Engine Mod.	Cyl.	Alternator Mod.	KVA	0% Load	100% Load	0% Load	100% Load	0% Load	100% Load	Kg	A _{mm}	B _{mm}	C _{mm}	D _{mm}
CT135-CT150S (50Hz)	6BTAAs.9-G6	6	TAL044H	135	64	67	61	64	56	59	3050	4000	1500	2400	798
CT200-CT220S (50Hz)	QSB7-G5	6	TAL046B	200	61	64	58	61	53	56	3500	4600	1800	2300	798
CT250-CT275S (50Hz)	QSL9-G3	6	TAL046D	250	64	67	61	64	56	59	5100	5000	2100	2520	1050
CT300-CT330S (50Hz)	QSL9-G5	6	TAL046F	300	65	68	62	65	57	60	5500	5000	2100	2520	1050
CT360-CT390S (50Hz)	NTA855-G4	6	TAL046F	360	65	68	62	65	57	60	6000	6000	2300	2700	1100
CT410-CT450S (50Hz)	QSZ13-G7	6	TAL047A	410	66	69	63	66	58	61	6500	6000	2300	2700	1100
CT460-CT530S (50Hz)	QSZ13-G5	6	TAL047C	480	66	69	63	66	58	61	6500	6000	2300	2700	1100
CT500-CT550S (50Hz)	KTA19-G4	6	TAL047C	500	67	70	64	67	59	62	7500	6520	2400	2700	1100
CT500-CT570S (50Hz)	QSZ13G10	6	TAL047C	500	67	70	64	67	59	62	7500	6520	2400	2700	1100
CT635-CT690S (50Hz)	VTA28-G5	12	TAL047F	635	68	71	65	68	60	63	10000	7000	2400	2700	1100

CUMMINS POWERED GENSETS

Attenuator/ Attenuator Sound Proof Canopy (AA)	Sound Pressure Levels (dBA)										Total Weight	Dimensions			
	1800 RPM, 60 Hz				Time										
					1 m		3 m		7 m						
Generating set	Engine Mod.	Cyl.	Alternator Mod.	KVA	0% Load	100% Load	0% Load	100% Load	0% Load	100% Load	Kg	A _{mm}	B _{mm}	C _{mm}	D _{mm}
CT150-CT165S (60 Hz)	6BTAAs.9-G6	6	TAL044H	150	66	69	63	66	58	61	3050	4000	1500	2300	798
CT225-CT250S (60 Hz)	QSB7-G5	6	TAL046B	225	63	66	60	63	55	58	3500	4600	1800	2300	798
CT290-CT320S (60 Hz)	QSL9-G3	6	TAL046D	290	66	69	63	66	58	61	5100	5000	2100	2520	1050
CT350-CT380S (60 Hz)	QSL9-G5	6	TAL046F	350	67	70	64	67	59	62	5500	5000	2100	2520	1050
CT400-CT440S (60 Hz)	NTA855-G3	6	TAL047A	400	67	70	64	67	59	62	6000	6000	2300	2700	1100
CT450-CT500S (60 Hz)	QSZ13-G7	6	TAL047A	450	68	71	65	68	60	63	6500	6000	2300	2700	1100
CT510-CT570S (60 Hz)	QSZ13-G5	6	TAL047C	510	68	71	65	68	60	63	7500	6000	2300	2700	1100
CT450-CT490S (60 Hz)	QSX15-G8	6	TAL047C	450	69	72	66	69	61	64	7500	6520	2400	2700	1100
CT560-CT620S (60 Hz)	QSX15-G9	6	TAL047E	560	69	72	66	69	61	64	7500	6520	2400	2700	1100
CT650-CT720S (60 Hz)	VTA28-G5	12	TAL047F	650	70	73	67	70	62	65	10000	7000	2400	2700	1100